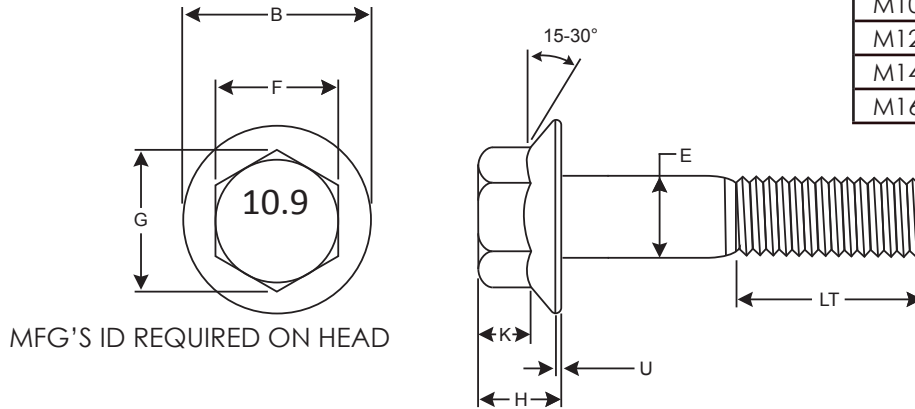


| | |
|--------------------------|--------------------------|
| MATERIAL: | ISO 898-1 CLASS 10.9 |
| TENSILE STRENGTH: | 1040N/MM2 MINIMUM |
| DIMENSIONS: | DIN 6921 (1983) |
| HEADMARK: | 10.9 & MFG'S ID |
| FINISH: | ZINC PHOSPHATE & OIL |
| REQUIRED TESTING: | ASME B18.18 - CATEGORY 3 |

| THREAD LENGTH | | | | |
|---------------|-------------------------------|---------|-----------------|---|
| DIA. | FULL THREAD OR PARTIAL THREAD | | PARTIAL THREAD | PARTIAL THREAD COLUMN MIN THREAD LENGTH |
| | M5 | THROUGH | | |
| M6 | THROUGH | 20mm | 25mm & LONGER ▶ | Min 18mm |
| M8 | THROUGH | 30mm | 35mm & LONGER ▶ | Min 22mm |
| M10 | THROUGH | 35mm | 40mm & LONGER ▶ | Min 26mm |
| M12 | THROUGH | 40mm | 45mm & LONGER ▶ | Min 30mm |
| M14 | THROUGH | 45mm | 50mm & LONGER ▶ | Min 34mm |
| M16 | THROUGH | 50mm | 55mm & LONGER ▶ | Min 38mm |



| Nominal Size or Basic Bolt Diameter | F | | G | | B | E | | H | U | K |
|-------------------------------------|--------------------|-------|----------------------|-------|------------|---------------|-------|----------------|------------------|---------------|
| | Width Across Flats | | Width Across Corners | | Flange Dia | Body Diameter | | Height of Head | Flange Thickness | Wrench Height |
| | Max | Min | | Min | Max | Max | Min | Max | Min | Min |
| M5-0.80 | 8.00 | 7.78 | | 8.71 | 11.80 | 5.00 | 4.82 | 5.40 | 1.00 | 2.00 |
| M6-1.0 | 10.00 | 9.78 | | 10.95 | 14.20 | 6.00 | 5.82 | 6.60 | 1.10 | 2.50 |
| M8-1.25 | 13.00 | 12.73 | | 14.26 | 18.00 | 8.00 | 7.78 | 8.10 | 1.20 | 3.20 |
| M10-1.5 | 15.00 | 14.73 | | 16.50 | 22.30 | 10.00 | 9.78 | 9.20 | 1.50 | 3.60 |
| M12-1.75 | 16.00 | 15.73 | | 17.62 | 26.60 | 12.00 | 11.73 | 11.50 | 1.80 | 4.60 |
| M14-2.0 | 18.00 | 17.73 | | 19.86 | 30.50 | 14.00 | 13.73 | 12.80 | 2.10 | 5.10 |
| M16-2.0 | 21.00 | 20.67 | | 23.15 | 35.00 | 16.00 | 15.73 | 14.40 | 2.40 | 5.80 |

DESCRIPTION:
CLASS 10.9 HEX FLANGE SCREWS DIN 6921



PRODUCT IS NOT DRAWN TO SCALE

IN HOUSE INVENTORY MAY OR MAY NOT BE PER ASME B18.18, CATEGORY 3. IF REQUIRED, CONFIRM STATUS WITH US AT SALES@FLANGESCREWS.COM OR 440.350.1430

NATIONAL THREADED FASTENERS, LTD. CLAIMS ALL PROPRIETARY RIGHTS TO THIS DRAWING AND THE INFORMATION IT CONTAINS. THIS MATERIAL IS CONFIDENTIAL. DISCLOSURE, REPRODUCTION, AND MANUFACTURING IS STRICTLY PROHIBITED WITHOUT THE EXPRESS WRITTEN PERMISSION OF NATIONAL THREADED FASTENERS, LTD. ALL RIGHTS OF DESIGN OR INVENTION ARE RESERVED.

THIS DRAWING IS FOR REFERENCE ONLY AND SHOULD NOT BE USED DURING THE MANUFACTURING PROCESS.

UNITS: MILIMETERS **PRODUCT SERIES:** BF10P/D **DRAWN:** AGRAHAM **DATE:** 4/26/16 **REV:** B