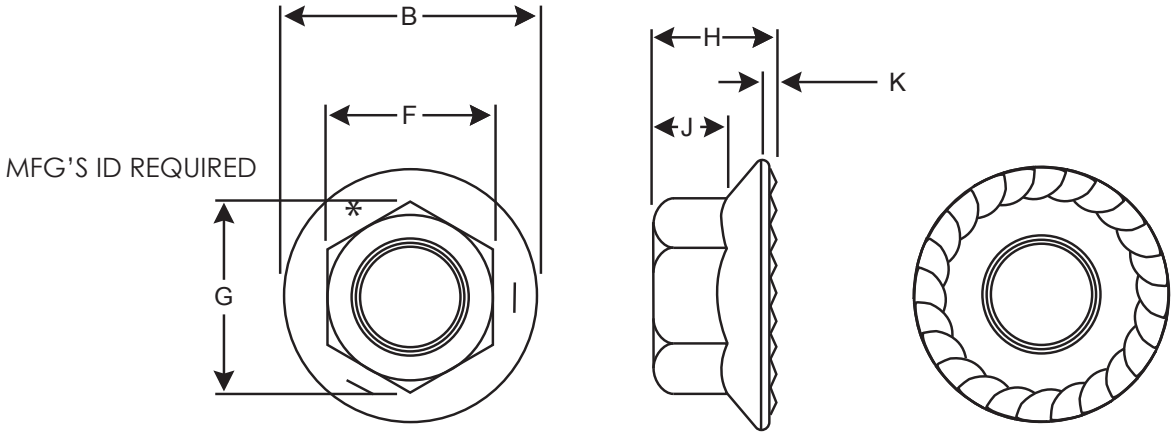


MATERIAL:	SAE J995 GRADE 5
HARDNESS:	HARDNESS 32 HRC MAX
DIMENSIONS:	IFI-145 (2002) OR ASME B18.2.2 (2011) SERRATED
FINISH:	ZINC CLEAR CR+3

PRODUCT IS NOT DRAWN TO SCALE



Nominal Size or Basic Bolt Diameter	F		G		B		H		J	K
	Width Across Flats		Width Across Corners		Flange Dia		Nut Thickness		Wrench Height	Flange Thickness
	Max	Min	Max	Min	Max	Min	Max	Min	Min	Min
1/4	0.438	0.428	0.505	0.488	0.594	0.574	0.236	0.222	0.14	0.04
5/16	0.500	0.489	0.577	0.557	0.680	0.660	0.283	0.268	0.17	0.04
3/8	0.562	0.551	0.650	0.628	0.750	0.728	0.347	0.330	0.23	0.04
7/16	0.688	0.675	0.794	0.768	0.937	0.910	0.395	0.375	0.26	0.04
1/2	0.750	0.736	0.866	0.840	1.031	1.000	0.458	0.437	0.31	0.05

DESCRIPTION:
GRADE 5 HEX SERRATED FLANGE NUTS



NATIONAL THREADED FASTENERS, LTD. CLAIMS ALL PROPRIETARY RIGHTS TO THIS DRAWING AND THE INFORMATION IT CONTAINS. THIS MATERIAL IS CONFIDENTIAL. DISCLOSURE, REPRODUCTION, AND MANUFACTURING IS STRICTLY PROHIBITED WITHOUT THE EXPRESS WRITTEN PERMISSION OF NATIONAL THREADED FASTENERS, LTD. ALL RIGHTS OF DESIGN OR INVENTION ARE RESERVED.

THIS DRAWING IS FOR REFERENCE ONLY AND SHOULD NOT BE USED DURING THE MANUFACTURING PROCESS.

UNITS: INCH	PRODUCT SERIES: SLN5Z	DRAWN: AGRAHAM	DATE: 1/9/15	REV: A
--------------------	------------------------------	-----------------------	---------------------	---------------